



Electrolux

Accessories Pre-wash Spray Unit with Single Hole

ITEM # _____

MODEL # _____

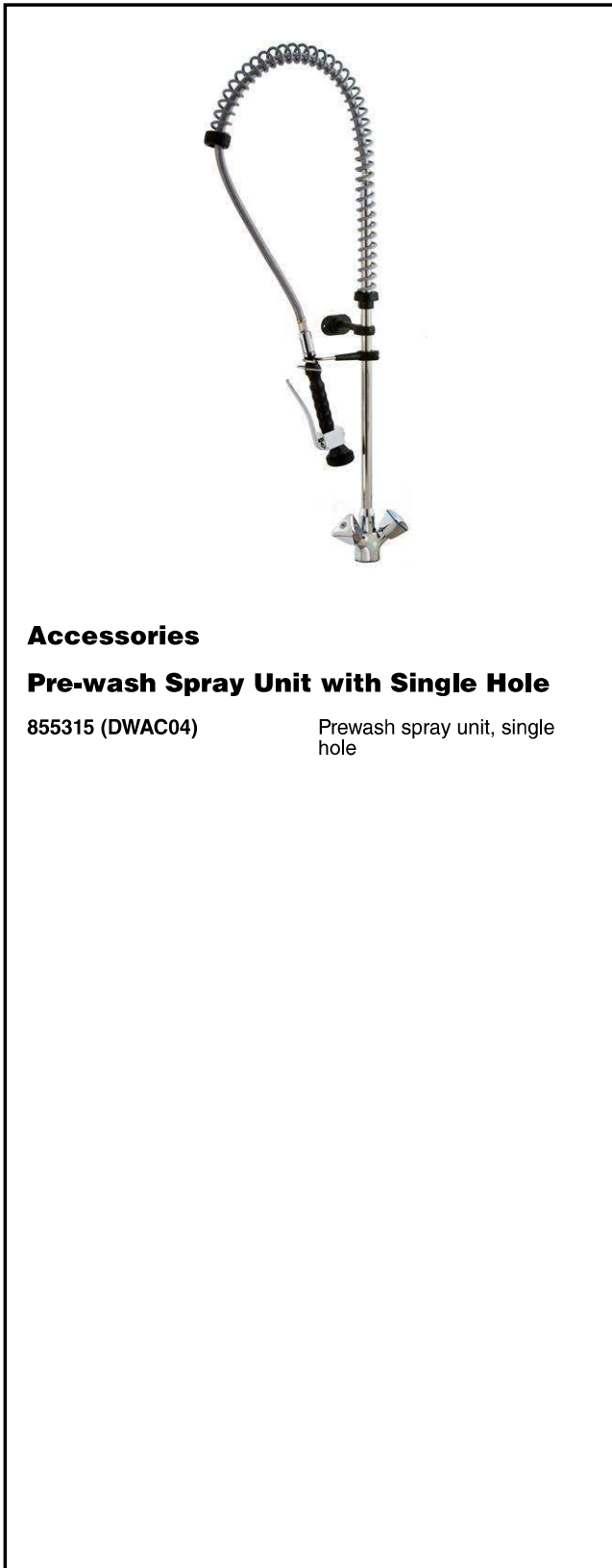
NAME # _____

SIS # _____

AIA # _____



Electrolux



Accessories

Pre-wash Spray Unit with Single Hole

855315 (DWAC04)

Prewash spray unit, single hole

Main Features

- Heat-insulating and limescale-resistant thermoplastic components.
- Water flow: 16 l/min with 3 bar.
- All pre-rinse unit are equipped with check valves in compliance with EN 1717.
- Mounting hole: 29mm.

Construction

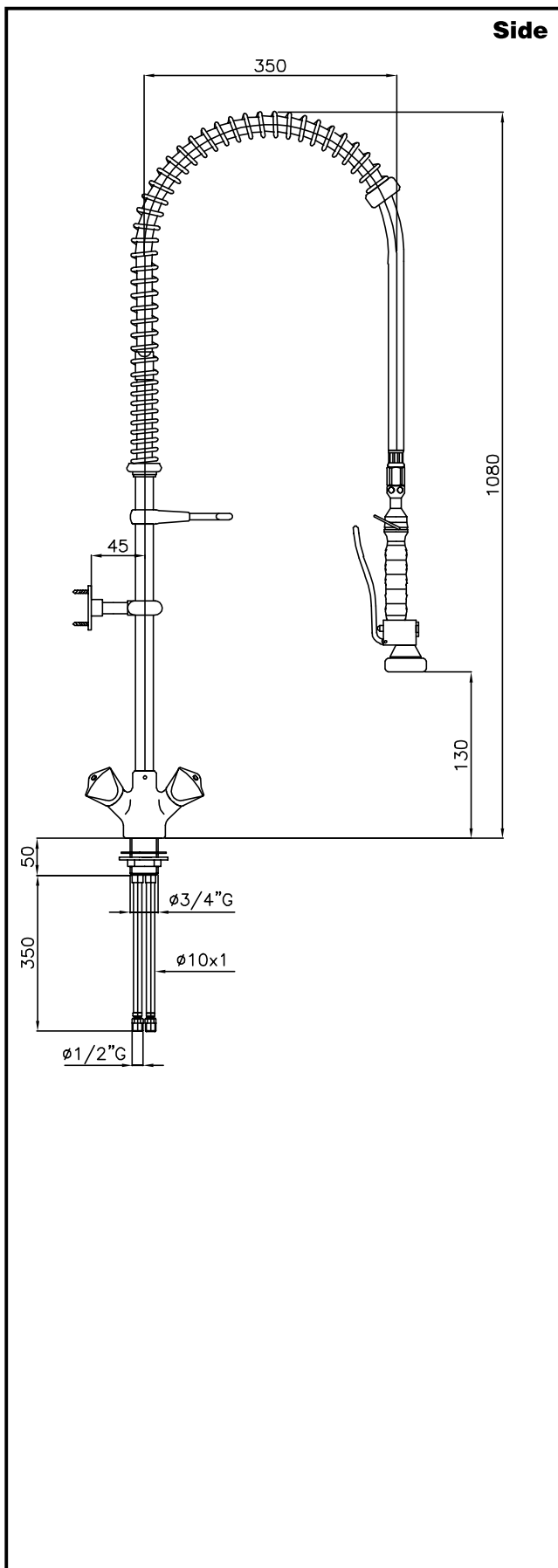
- Support spring in harmonic steel.
- Flexible hose in EPDM rubber, certified for portable water; reinforced with stainless steel double braid and transparent thermoplastic coating.
- The spray gun allows a progressive water flow with internal components in stainless steel and EPDM rubber certified for food.
- Knobs made in chromium-plated high quality tecnopolymer that is resistant to temperature of up to 90°C. High flow and high durability stem valves.
- Faucet body made in hard chromium-plated brass, massive heavy-duty construction and it is resistant to temperature up to 90°C. Monting shank: G3/4", 50mm long and ring nut for maximum stability and ease of installation.
- Idraulic connection MG 1/2 male-threaded compression coupling.
- Stainless steel spray gun bracket with fiberglass body.
- 150mm long wall bracket in fiberglass.
- Riser pipe in AISI 316 stainless steel.

APPROVAL: _____



Electrolux

Accessories Pre-wash Spray Unit with Single Hole



Accessories
Pre-wash Spray Unit with Single Hole

The company reserves the right to make modifications to the products without prior notice. All information correct at time of printing.

2014.11.17